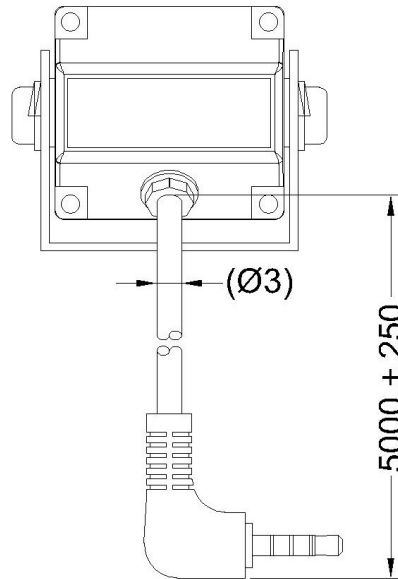
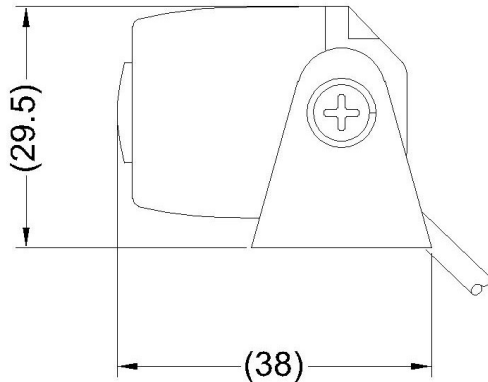


Product Specification

Brigade Model Number: EDR-142C

Brigade Stock Code: 4514



Dimensions: mm

Product Specification

Environmental Specifications:

- Shock Rating: TBC
 - Vibration Rating: TBC
 - IP Rating: IPX8
 - Operating Temperature: TBC
 - Storage Temperature: TBC
- (not to industry recognised standard or test house)

Approved Standards:

- CE Self DofC
- WEEE

Technical Specifications:

- Operating Voltage: 6-15V Vdc
- Current Consumption: ≤ 100mA @12 Vdc
- Power Consumption: ≤1.2 Watts @ 12Vdc
- TV System: NTSC
- Viewing angle: H114 x V86 x 140 ± 5%
- Lens Focal length: 1.78mm
- Resolution: 420TV Lines
- View: Normal
- Video Output: 1.0Vp-p / 75Ω

Technical Specifications Continued...

- Length of Cable: 5000mm
- Overall Dimensions: 38.5mm (W) x 38mm (D) x 29.5mm (H)
- Camera only Weight: Approx. 125g
- System Weight: Approx 195g
- Casing Material: Aluminium
- Colour: Black

Features:

- Compact Design

Package Contents:

- 1x Camera
- 1x Bracket
- 2 x Bracket screws
- 1x fixing pack

TO BE USED WITH EDR-101 ONLY!

